

1 2 3 4 5 6 7 8 9

A

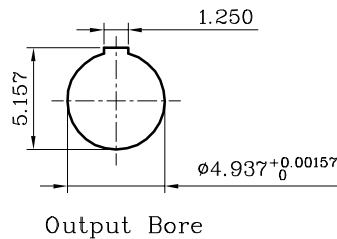
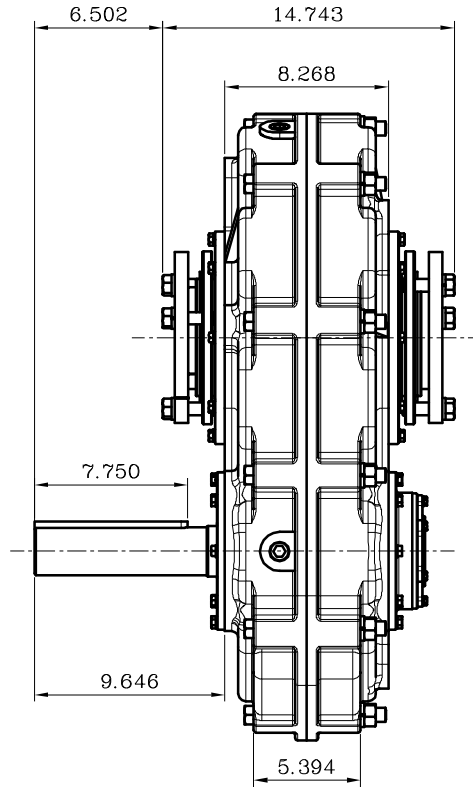
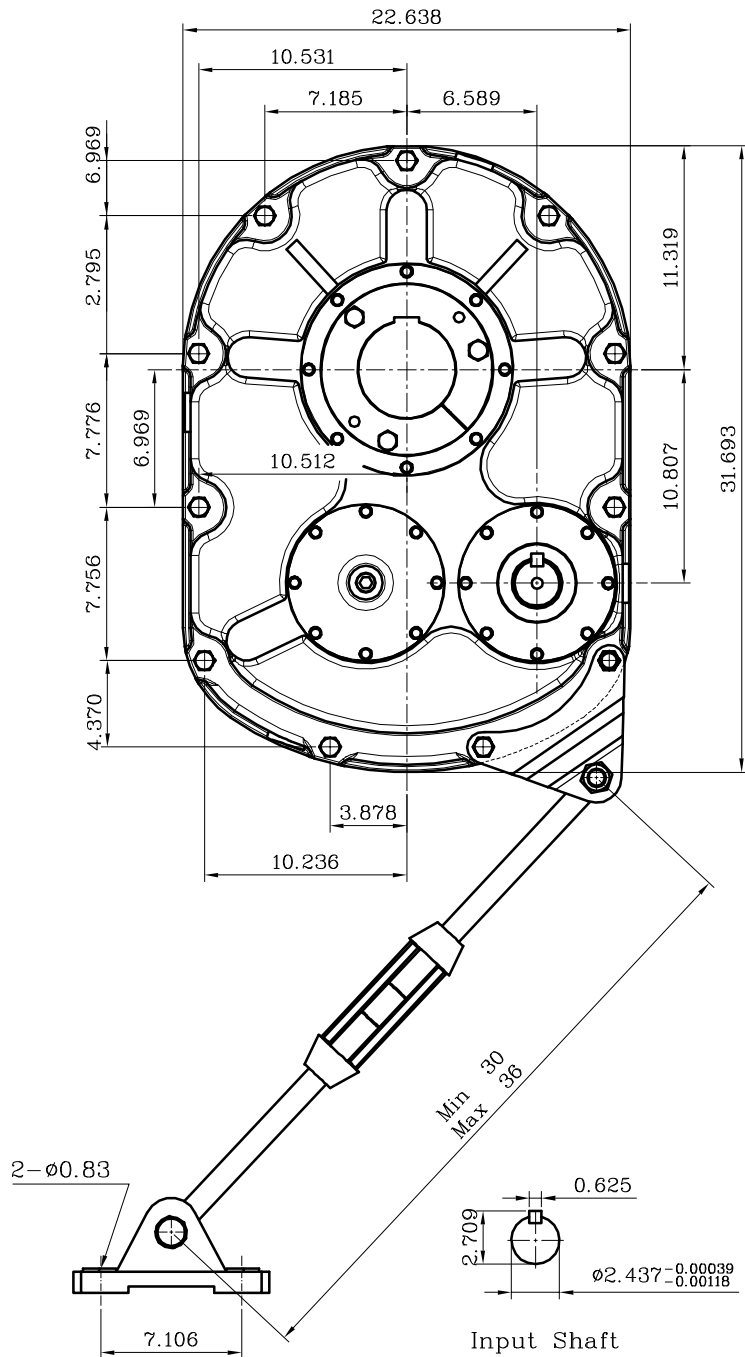
B

C

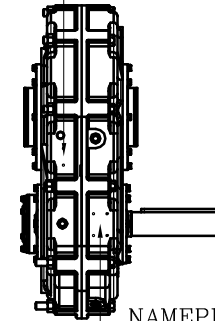
D

E

F



OIL LABEL



NAMEPLATE

ILLUSTRATION FOR OIL LABEL AND NAMEPLATE

WORLDWIDE

	NAME	DATE	TITLE : SCSMR9-25/1		
DWN.	FRANK	2018.07.09	DWG. NO : SCSMR9		
DESN.			PROJECTION	3RD. ANGLE	E-mail:
APPR.	Y.S.P	2018.07.10	SCALE	1:10	REV: A